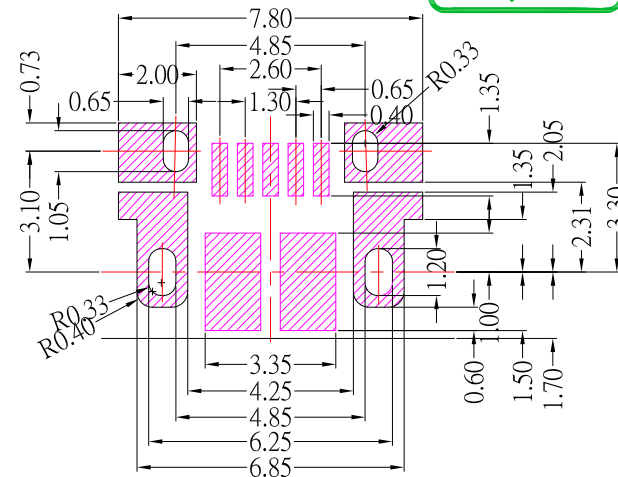
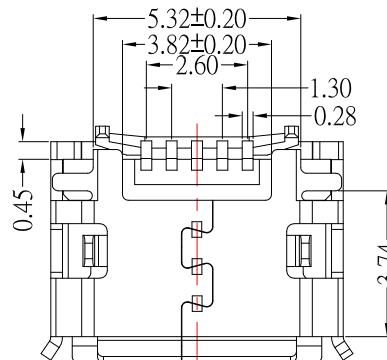
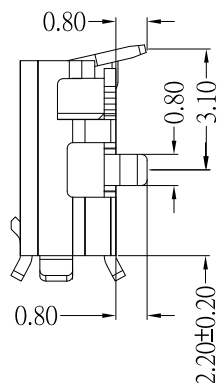
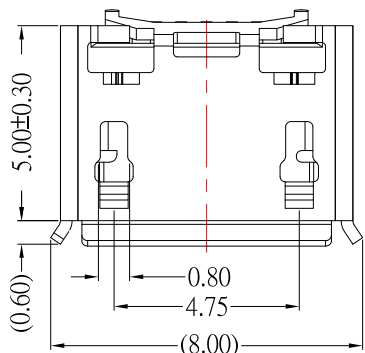
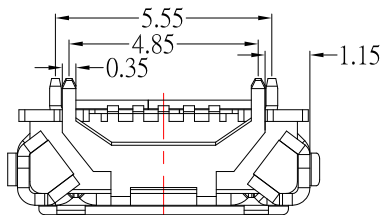




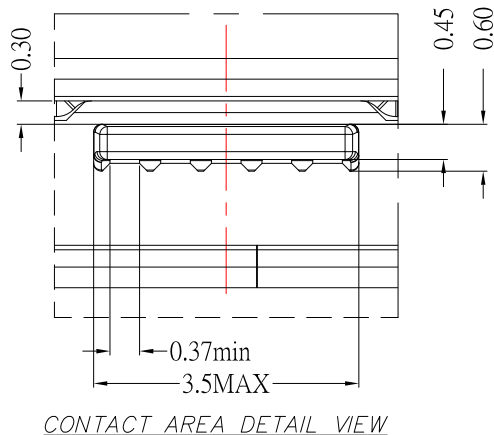
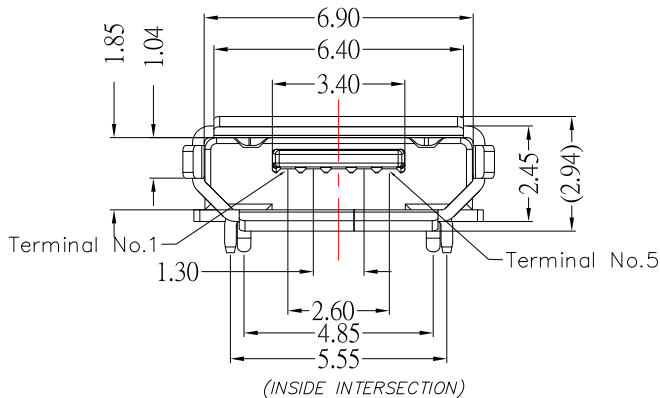
MRUSB-5B-D13xx-S347

Shell Material : SHELL 鍍層:

Blank : BRASS	TN
A : SUS	NI



P.C.B LAYOUT MOUNTING PATTERN



NOTES:

- MATERIAL:
 - HOUSING: LCP
 - CONTACT: PHOSPHOR BRONZE
 - SHELL: BRASS / SUS
- Finish:
 - Contact: Plated Gold in Mating Area ;
Gold Plated on Solder Balls ;
Nickel under plated overall
 - SHELL: NICKEL or TIN UNDER PLATED SURFACE LAYER
- SPECIFICATION:
 - CURRENT RATING: 1.0 A Max
 - DIELECTRIC WITHSTANDING VOLTAGE: 100 V(ac) FOR 1min
 - CONTACT RESISTANCE: 30 mΩ MAX.
 - INSULATION RESISTANCE: 100 MΩ MIN.
 - TOTAL MATING FORCE: 3.57 Kgf MAX.
 - TOTAL UNMATING FORCE: 1.0 Kgf MIN.
 - TEMPERATURE RANGE: -30°C ~ +80°C

3	更新樣式	Jack	100721
2	新增外殼材質選項	Jack	010918
1	更新為A0版	Jack	102616
ITEM NO.	DESCRIPTION	DRAWN	DATE



TOLERANCE UNLESS OTHERWISE STATED:

Up to 5	±0.2
Above 5 ~ 15	±0.3
Above 15 ~ 30	±0.4
Above 30 ~ 50	±0.5
Angle	±0.3°

3RD. ANGEL'S

DRAWN BY:	DATE	MAT'L	TITLE	CONNECTOR
Jack Lu	10/07/21	FINISH	MODLE	MICRO USB 5P SMT 牛角型斜後蓋 PH:5.5-4.85mm
CHECKED BY:	DATE	SCALE	DWG NO.	MRUSB-5B-D13xx-S347
Jacky Chen	10/07/21	1 : 1	PART NO.	MRUSB-5B-D13xx-S347
APPROVED BY:	DATE	SHEET NO.	1 of 1	SIZE A4 VER R3
Tony Kao	10/07/21			